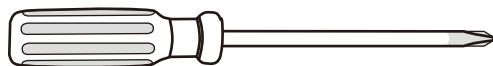
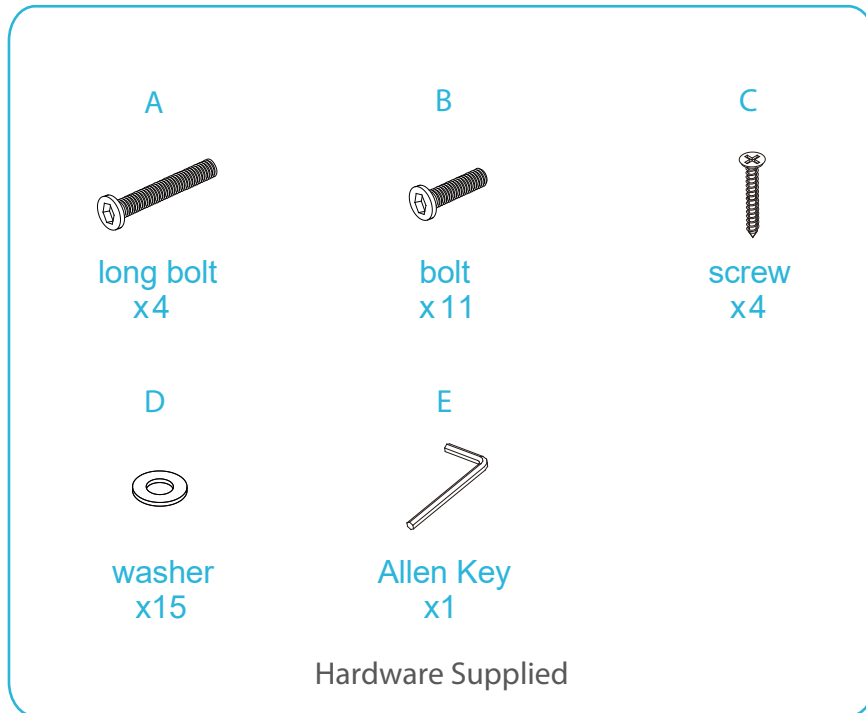


Zander Bench Seat

Assembly Instructions

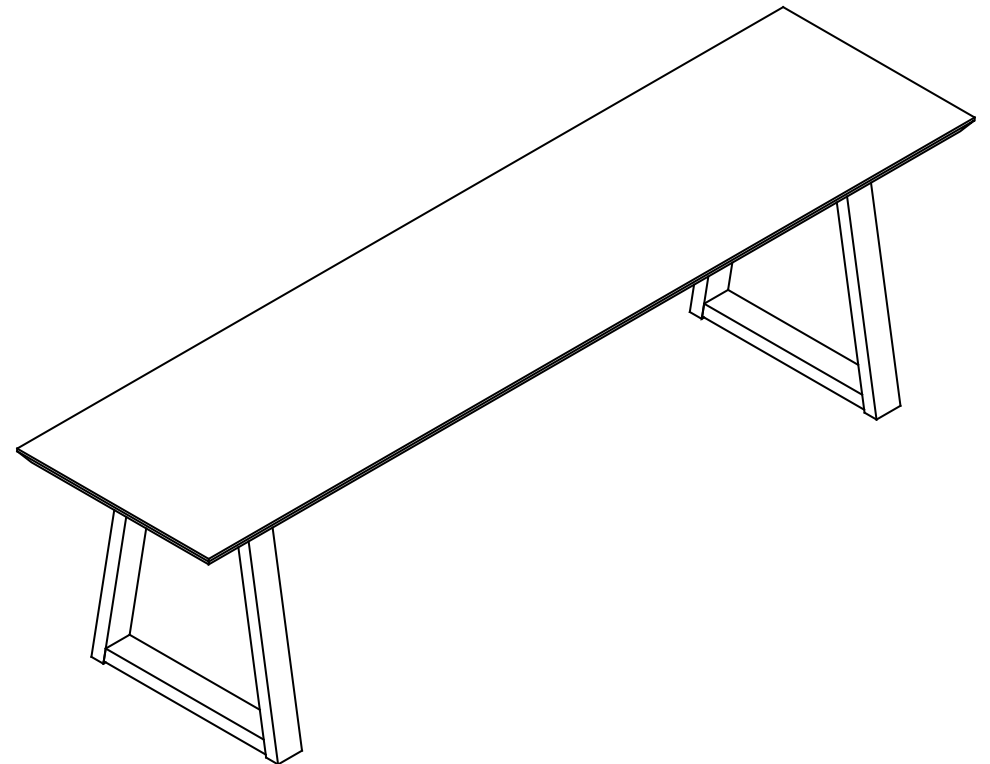
mocka

Thank you for your purchase. Please follow the instructions for correct assembly. While we took great effort to ensure these assembly instructions were correct at the time of printing, sometimes updates are required post production. For the most up to date versions please refer to the product page on our website. mocka.com.au/mocka.co.nz



Phillips screwdrivers

For quicker assembly, we recommend the use of a power drill on a low-speed setting.

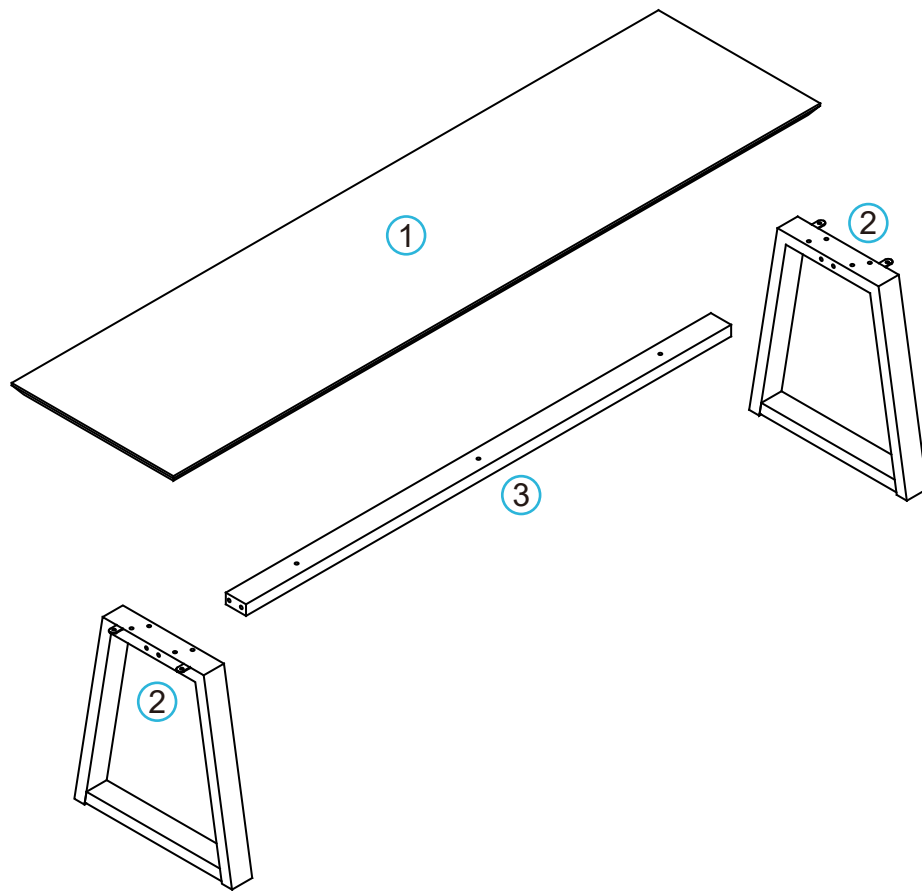


Zander Bench Seat

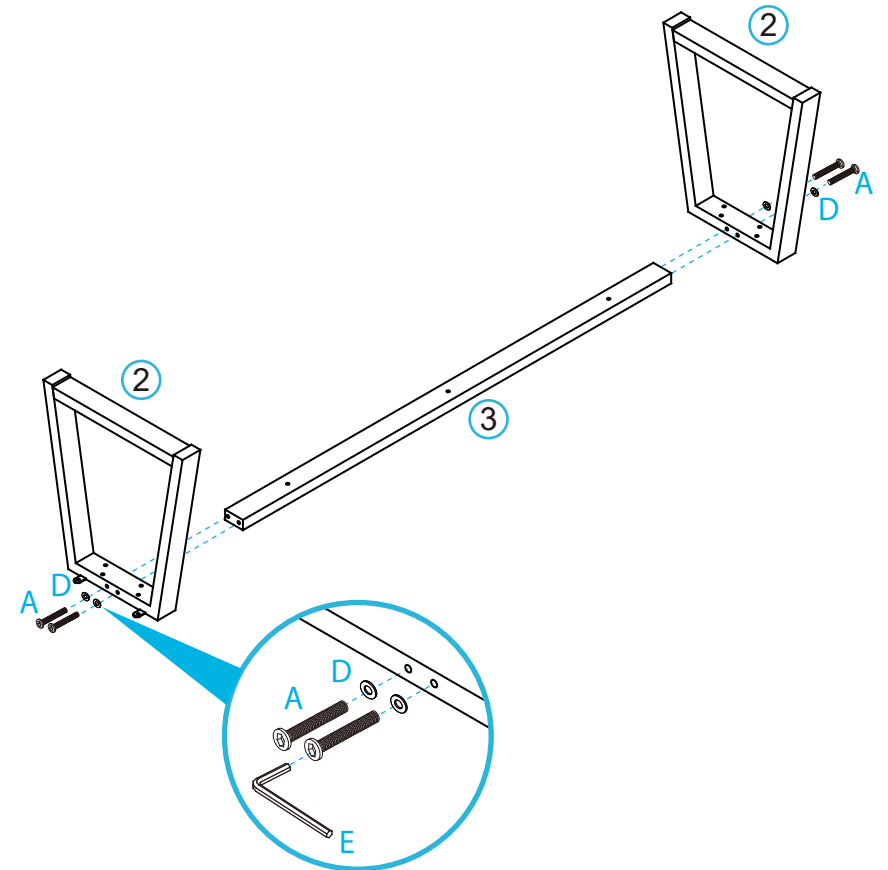
Assembly Instructions

mocka

Panel layout



1



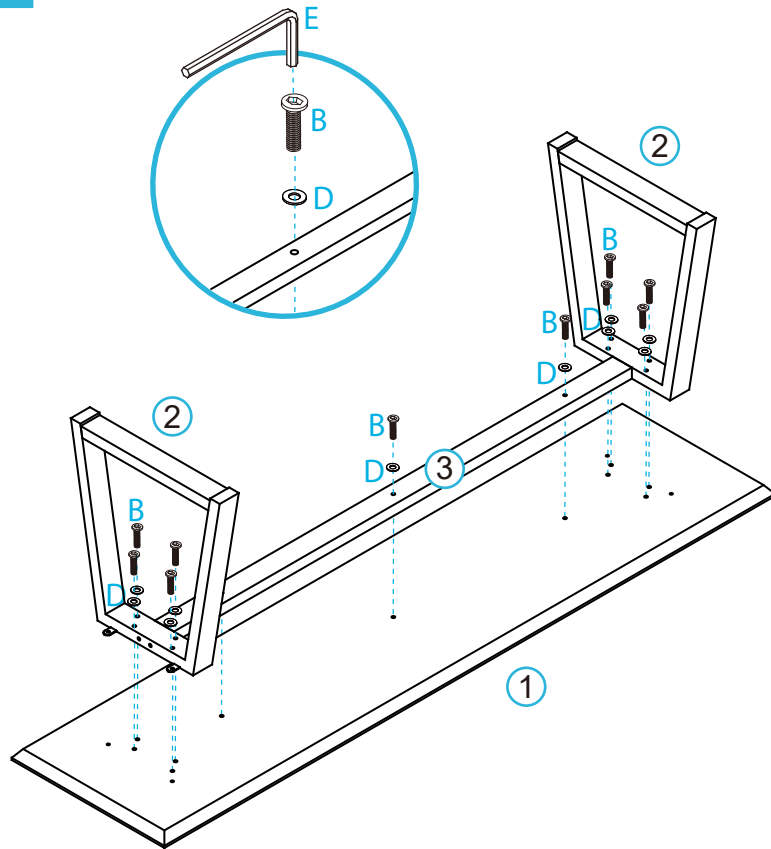
Attach panels [2] to panel [3] secure with 4x Long bolts (A) and 4x washers (D). Tighten with an Allen key (E).

Zander Bench Seat

Assembly Instructions

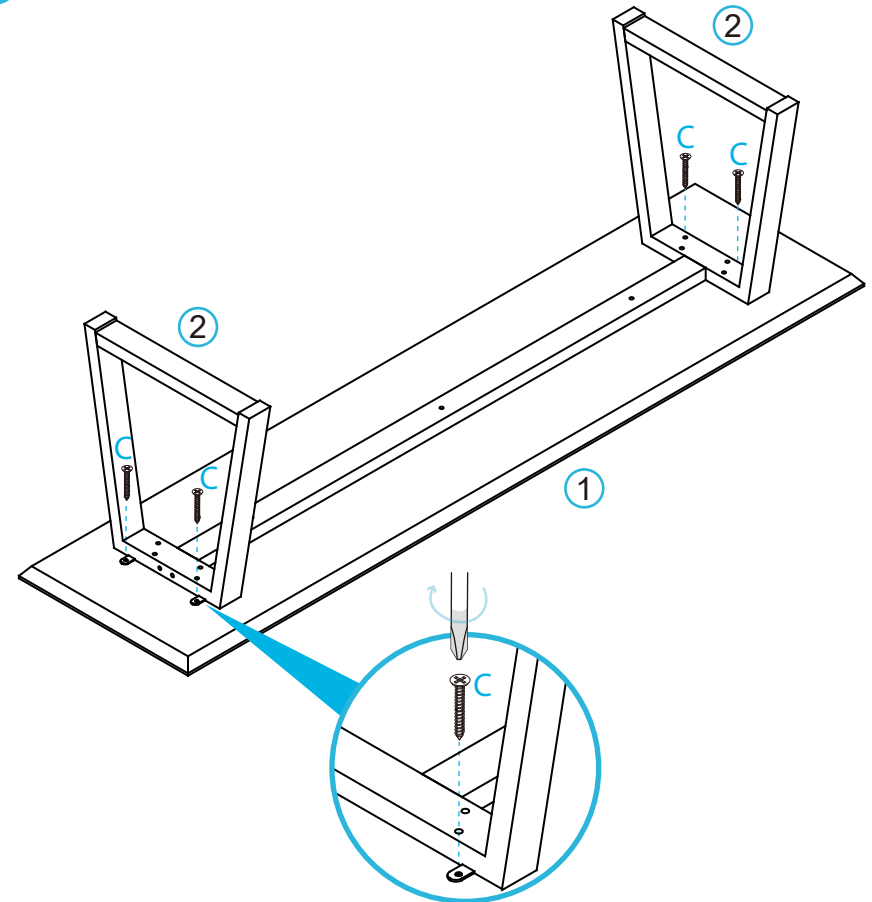
mocka

2



Attach panels [2] and [3] to panel [1] secure with 11x bolts (B) and 11x washers (D). Tighten with an Allen key (E).

3



Attach panels [2] to panel [1] and secure with 4x screws (C). Tighten with a screwdriver. Once assembled lift furniture into place, do not drag. You're done, enjoy!